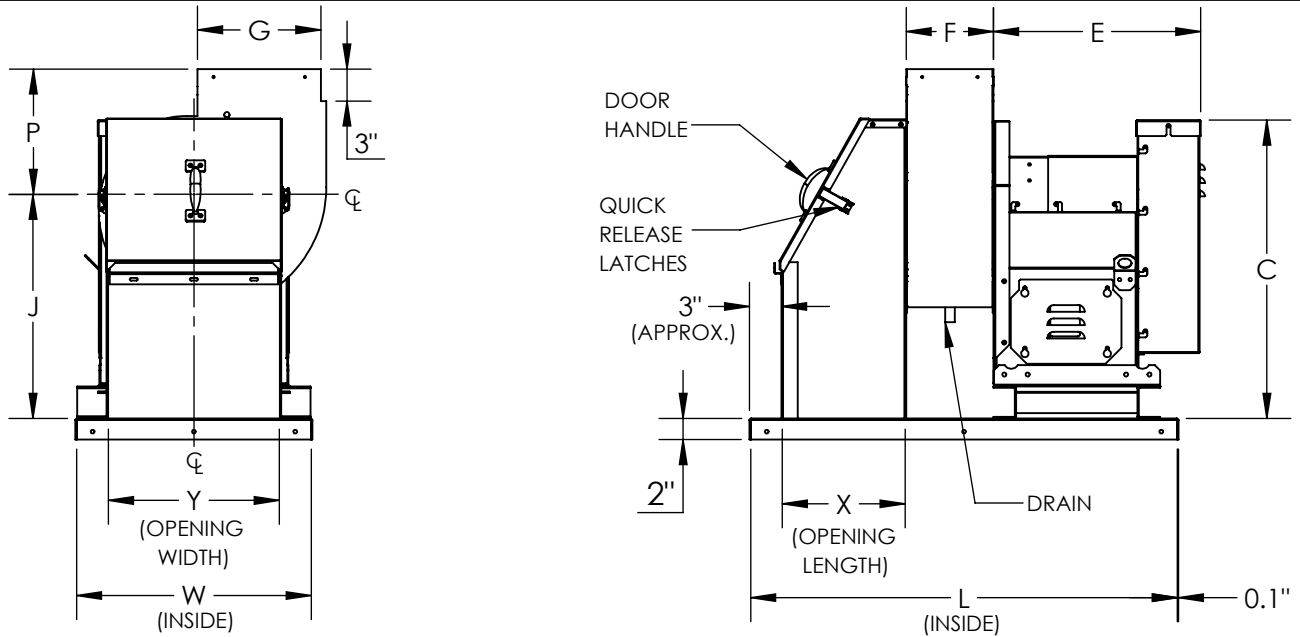




DATE: TAG:
 JOB:
 PROJECT:
 COMPANY:
 SALES PERSON:

UVS2, CLASS-1, ARRANGEMENT- 10
 INLET BOX AND CURB CAP, SIZES 60-270



INLET VIEW

STANDARD FEATURES:

1. Discharge: UB
2. Rotation: CW/CCW (CW shown above)
3. Steel Wheel
4. Welded and Coated Housing, Bolted and Galvanized Pedestal
5. Welded and Coated Inlet Box and Curb Cap
6. 1045 TG&P Shaft
7. 80K L10 Life Bearings
8. Adjustable Motor Base Assembly
9. Weather Cover
10. Housing Drain & Plug - 3/4" NPT

OPTIONAL ACCESSORIES:

1. Speed Controllers (shipped loose only)
2. Grease Containment
3. Outlet Stack (Outlet Flange required)
4. Flanged Outlet
5. Shaft Seal
6. Disconnect Switch.
7. Curb
8. Spark Resistant Const. (Type B/C)
9. Piezo Ring
10. Pressure Transducer
11. Outlet Screen
12. Access Door (Bolted or Hinged)

DIMENSIONAL DATA

Size	C	E	F	G	J	L	P	W	X	Y	MAX. WT. (lbs)	MAX RPM	MAX. MTR
60	27.94	19.44	8.19	11.56	21.00	40.00	11.75	22.00	11.50	16.00	208	4400	145T
70	27.94	19.44	8.19	11.56	21.00	40.00	11.75	22.00	11.50	16.00	208	4400	145T
80	27.94	19.44	8.19	11.56	21.00	40.00	11.75	22.00	11.50	16.00	208	4400	145T
105	27.94	19.44	8.19	11.56	21.00	40.00	11.75	22.00	11.50	16.00	208	4400	145T
122	27.94	21.44	9.88	13.06	21.00	45.00	13.25	25.00	13.00	19.00	249	3550	182T
135	28.31	21.44	10.88	14.38	21.38	46.00	14.00	28.00	13.00	22.00	274	3222	182T
150	29.94	22.44	12.06	15.88	23.00	47.00	14.50	30.00	13.00	24.00	305	2900	184T
165	31.56	22.44	13.25	17.56	24.63	52.00	14.50	33.00	16.00	27.00	358	2636	184T
182	35.19	26.06	14.06	20.06	26.63	56.00	14.75	35.00	17.50	29.00	426	2300	215T
200	37.31	26.06	15.38	22.00	28.75	61.00	16.00	38.00	20.50	32.00	525	2100	215T
222	39.81	26.06	17.13	24.50	31.25	64.00	17.75	42.00	22.00	36.00	630	1888	215T
245	43.94	31.56	18.75	27.00	33.75	73.00	19.50	45.00	24.00	39.00	768	1714	215T
270	46.94	31.56	20.63	29.75	36.75	74.00	21.50	48.00	22.50	42.00	870	1556	254T

ALL DIMENSIONS ARE IN INCHES, WEIGHTS ARE APPROXIMATE AND DOES NOT INCLUDE DRIVES OR ACCESSORIES.

REVISION: FORM: REPLACES: